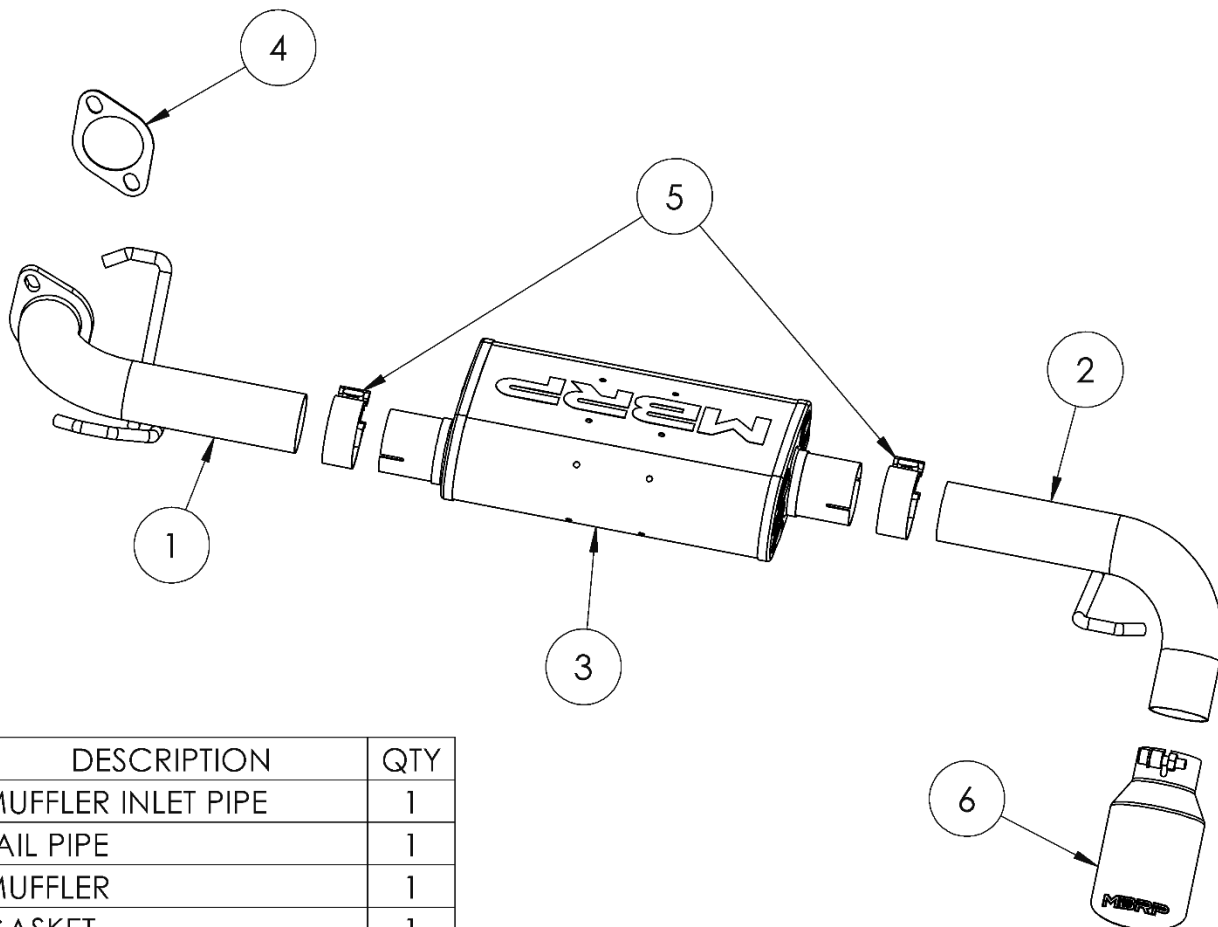


S4813

2018-UP SUBARU CROSSTREK, 2.0L / 2.5L,
AXLE-BACK, 2.5" SINGLE REAR

MBRP®



ITEM	DESCRIPTION	QTY
1	MUFFLER INLET PIPE	1
2	TAIL PIPE	1
3	MUFFLER	1
4	GASKET	1
5	2.5" CLAMP	2
6	TIP	1

PLEASE READ BEFORE STARTING INSTALLATION

While MBRP has made every effort to ensure that all components of this system are of superior quality and properly packaged, it is the installer's responsibility to ensure the following before removal of the factory exhaust:

- that ALL components shown above are present.
- that ALL mating components fit together.
- that there are no damaged components.
- that the system you have purchased is appropriate for your vehicle year, model and configuration.
- that the system will not interfere with any modifications previously installed or planned.
- that you have read and understand these instructions.

If you have any questions or are uncertain about any aspect of the installation of this system to your vehicle please contact your dealer before commencing installation.

MBRP

Removal of Stock System

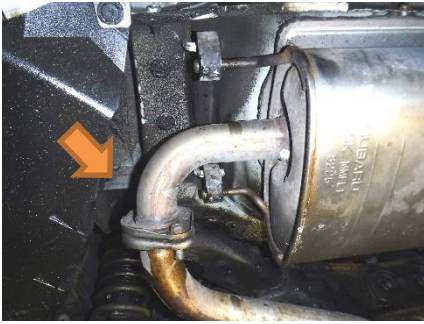


Figure 1

1. Apply penetrating lubricant liberally to all exhaust fasteners, hangers, and rubber insulators.

2. Unbolt the factory rear muffler inlet flange. Retain the hardware for the installation.

Refer to Figure 1.



Figure 2

3. Remove the factory rear muffler from the rubber insulators.

Refer to Figures 1 & 2.

Installation of **MBRP** Performance Exhaust



Figure 3

1. Place the **Gasket** onto the factory under-axle pipe flange. The factory gasket can remain in place to help center the **Gasket**. Some high temperature silicone may be applied at the installer's discretion.

Refer to Figure 3.

2. Install the **Muffler Inlet Pipe** into the factory insulators and attach the flange to the factory under-axle pipe using the factory hardware. Do not fully tighten until the last step.

Refer to Figure 4.



Figure 4

3. Using a **2.5" Clamp**, loosely install the **Muffler** onto the **Muffler Inlet Pipe**.

Refer to Figure 5.

4. Place a **2.5" Clamp** over the **Muffler** outlet and loosely install the **Tail Pipe** into the **Muffler** and into the factory insulator.

Refer to Figure 6.

5. Install the **Tip**, and adjust to your liking.

Refer to Figure 7.



Figure 5

6. Carefully align all parts of the system to achieve the best possible fit. The **Muffler** should be angled similar to the under-axle pipe, but horizontal when viewed from the rear of the car.

Refer to Figures 8 & 9.

MBRP

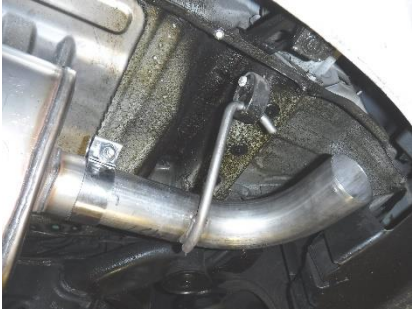


Figure 6



Figure 7

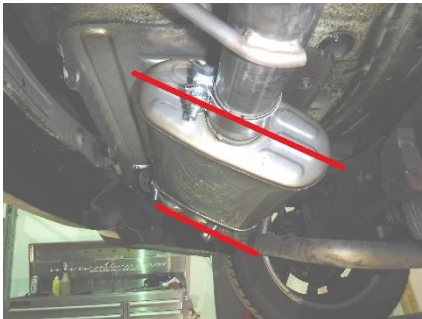
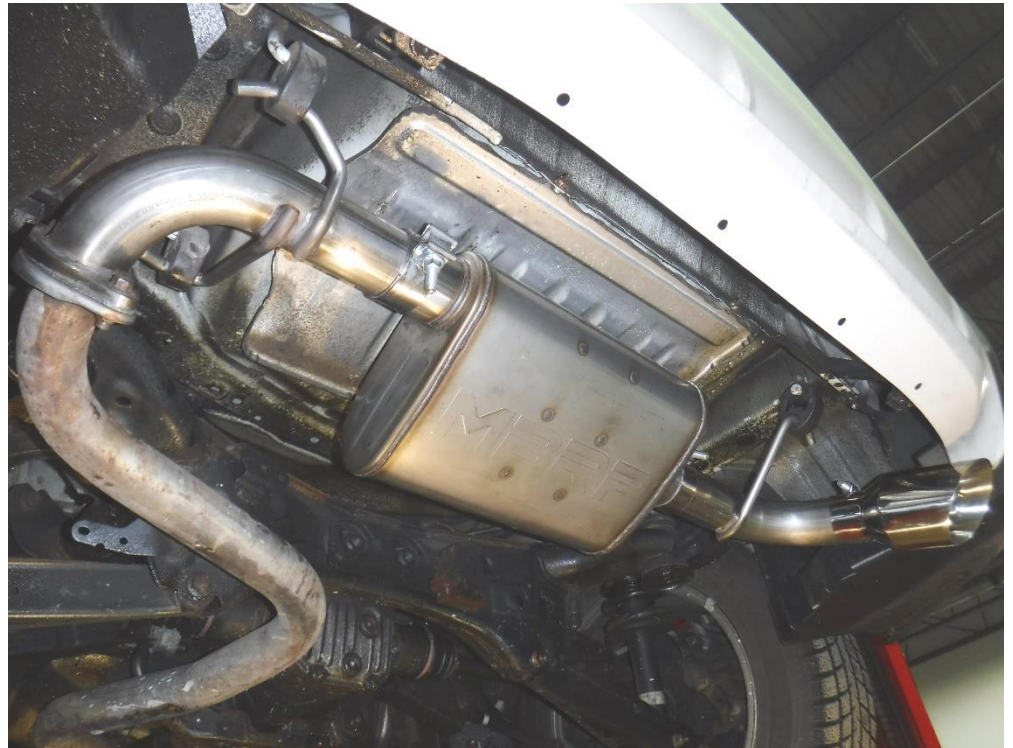


Figure 8



Figure 9

7. Carefully align the system and tips. Align the edge of each band clamp with the edge of the joint it is connecting. Tighten all hardware and clamps, starting at the front and working rearward to secure the system. Check along the full length of the exhaust system to ensure there is adequate clearance for fuel lines, vent lines, brake lines, frame, bodywork, suspension and any wiring, etc. If there is any interference detected, relocate or adjust to provide adequate clearance. Ensure all clamp connections are secure and components are unable to rotate or slide. Band clamps require approximately 45 lb-ft (60 N-m) of torque. Verify clearances, system security and band clamp torque after 30-60 miles (50-100 km) of driving.



Congratulations! You are ready to begin experiencing the improved power, sound and driving experience of your **MBRP** Performance Exhaust. We know you will enjoy your purchase!